



IRONCLAD PUMPS FOR LIQUID AND ABRASIVE SOLID MIXTURES

"LARIO™" ironclad pumps are known for their well-researched design, reliability, performance, strength and flexibility. Extensive experience and technical expertise mean our long-lasting pumps offer an excellent cost-to-lifetime and quality-to-strength ratio. All components subject to wear are manufactured from ni-hard and chromed cast iron with hardness of between 550 and 650 HB as well as from special manganese and chrome alloys.

"LARIO™" ironclad pumps are produced using only reliable high quality components guaranteeing perfect absorption, even in extreme working conditions. Replacement spare parts are always readily available to reduce machinery down time.

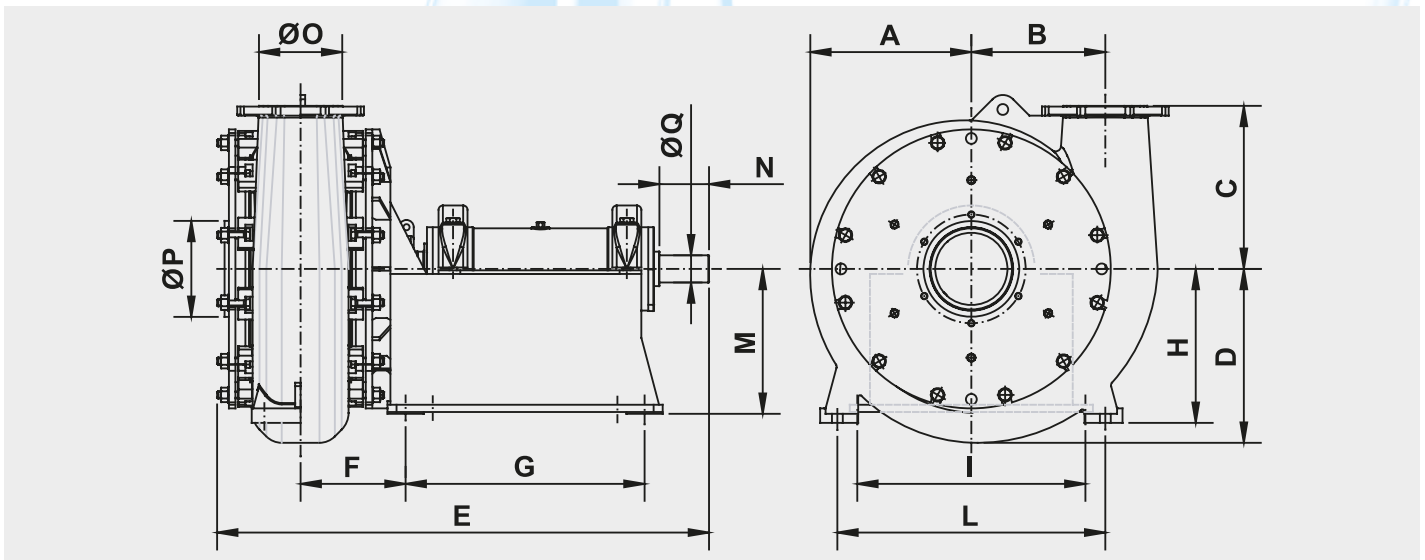
HORIZONTAL SHAFT PUMPS

Our horizontal shaft pumps are particularly popular thanks to their simple yet hard-wearing design. They are suitable for use on suction dredgers excavating quarry aggregates and carrying out sea and port dredging. In addition to driving separators, they may also be used for the long distance pumping of liquid and mineral mixtures, as well as for pumping water containing sand, gravel, salt and clay.

The wide product range includes horizontal pumps with delivery outlets of between 75 mm (3") to 500 mm (20") and with flow rates of between 60 and 4.000 m³/h.

LARIO™ PUMP TECHNICAL CHARACTERISTICS AND PERFORMANCE

PD pump	75	125	150	180	200	250	300	350	400	450	500
PDV pump	75	125	150	180							
Ø Delivery mm	82,5	125	150	183	207	260	310	352	401	440	492
Ø Suction mm	100	125	183	207	230	310	352	401	440	492	540
Solid max size mm	40	60	90	100	125	160	200	230	260	300	340
Ø Impeller mm	290	360	460	565	660	760	920	1020	1120	1250	1380
Weight	0,25	0,38	0,83	1,3	1,9	2,9	4,5	6,5	9	12	16
Manometric height m	60	60	65	70	70	80	80	80	80	80	80
Min. delivery+ mc/h	60	85	190	290	370	570	800	1050	1350	1650	2000
Max. delivery mc/h	100	150	330	500	640	1000	1400	1800	2400	2900	3600
Approximate solid delivery mc/h	15	25	60	90	110	175	240	300	400	500	600



LARIO™ DREDGING PUMPS DIMENSIONS

PD	A	B	C	D	E	F	G	H	I	L	M	N	O	P	Q
75	250	185	220	240	835	160	410	-	410	-	250	80	82,5	100	45
125	300	245	285	315	965,5	190	460	270	425	480	250	90	125	125	48
150	380	305	400	400	1190	260	560	350	520	620	335	120	150	180	65
180	450	370	450	480	1360	290	660	425	630	730	400	135	180	200	75
200	520	433,5	500	565	1582	322	800	475	760	900	460	160	207	230	95
250	610	507	600	660	1833	362,5	950	550	870	1000	525	185	254	300	105
300	740	610	710	790	2047,5	430	1050	670	1030	1260	630	200	300	350	120
350	840	685	780	900	2300	460	590x2	750	1130	1400	670	215	350	400	135
400	905	760	875	1000	2615	540	675x2	800	1250	1650	750	230	400	450	140